



Automatic Non-Contact Hand Sanitizer Dispenser

Product User Manual

REF HSD-01

Please read the manual carefully
before using this product.






 670 Endeavor Circle, Brea, CA 92821 USA

 info@pac-dent.com

 909.839.0888

 909.839.0881

 www.pac-dent.com

Rev.073020

Made in China

PRODUCT INFORMATION

This innovative hand sanitizer dispenser allows fast non-contact delivery of sanitizing solution while simultaneously providing a flash of UV light for additional disinfection. The dispenser can be easily mounted to any wall or installed on the included stand. The stainless steel stand is sturdy, height adjustable, and comes in a stylish black finish. Includes refillable bottle for sanitizing solution.

- Non-contact hand sanitizer dispenser
- UV light for additional disinfection
- Includes stylish height-adjustable stand
- Works with both sanitizing spray and gel

Dispenser Material	ABS Plastic
Stand Material	Stainless Steel
Dispenser Dimensions	4.1" x 4.5" x 10.1"
Stand Height (adjustable)	46" - 64"
Reservoir Capacity	1000 ml
Power	AC Adapter or 4 x C Batteries

PRODUCT CONTENTS:

- 1 x Dispenser unit with reservoir tank
- 1 x Support plate
- 1 x Telescopic pole with base
- 4 x C batteries
- 2 x M10 screws, 3 x M5 screws,
3 x M4 screws, 3 x M4 Nuts
- 1 x AC adapter
- 1 x Back plate
- 1 x U-shaped key
- 1 x User manual



PRODUCT INFORMATION

RELATED PRODUCTS

ProGuard™ 70% Hand Sanitizer Advanced Moisturizing Gel



82102
(2 fl. oz.)



82108
(8.4 fl. oz.)



82116
(16 fl. oz.)



82128
(1 Gallon)

ProGuard™ 80% Hand Sanitizer Spray



83002
(2 fl. oz.)



83004
(4 fl. oz.)



83027
(27.05 fl. oz.)

RELATED PRODUCTS

ProGuard™ Dry Wipes



PDW-50
(4" x 4" 50 wipes)

ProGuard™ Compressed Dry Wipes



PCDW-50
(50 compressed wipes)

WARNING

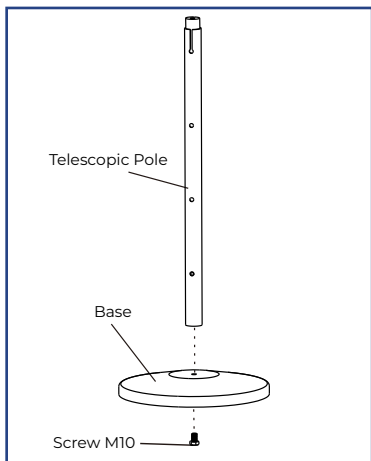
Use the dispenser only as directed. Do not use in areas where dispenser may be exposed to wet environments such as showers or outdoors. Do not install or use in extreme hot or cold locations. Dispensed product intended for external use only. Refer to refill for actions in case of ingestion.

CLEANING & MAINTENANCE

Clean exterior surfaces of the dispenser using warm water and mild soap. Do not use abrasive cleaners. Dry with a soft cloth.

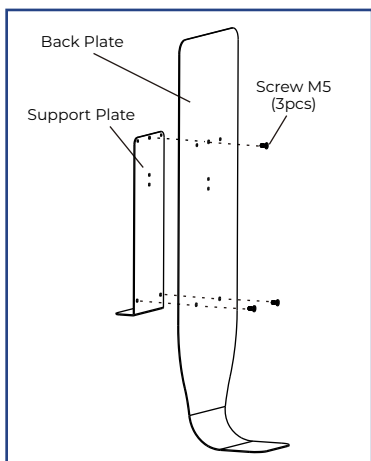
USER INSTRUCTIONS

STEP ONE: Pole/Base Assembly



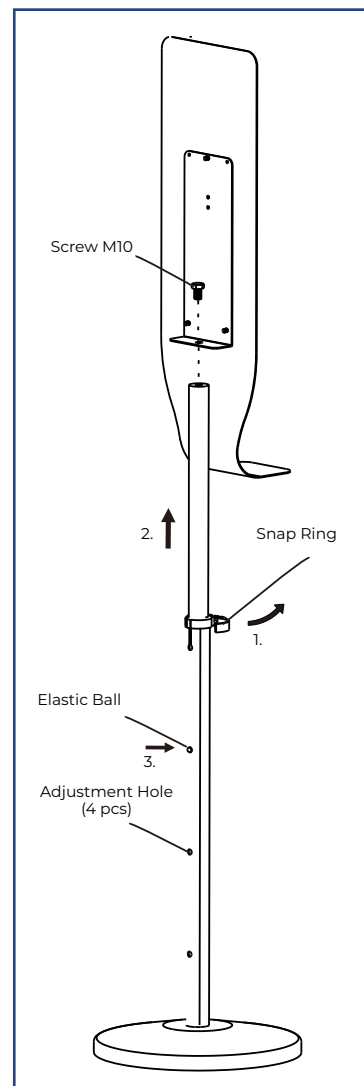
- A.** Locate the Base, Telescopic Pole, and M10 Screw.
- B.** Secure the Pole to the Base by screwing the M10 Screw into the bottom of the Base. When installed correctly, the Pole should be able to extend upwards.

STEP TWO: Back/Support Plate Assembly



- A.** Locate the Support Plate, Back Plate, and three M5 Screws.
- B.** Connect the Back Plate and Support Plate together with the three M5 Screws and screw them into the designated holes from the front of the Back Plate. When installed correctly, the Support Plate's L-shaped lip and Back Plate's J-shaped lip should be facing in opposite directions away from one another.

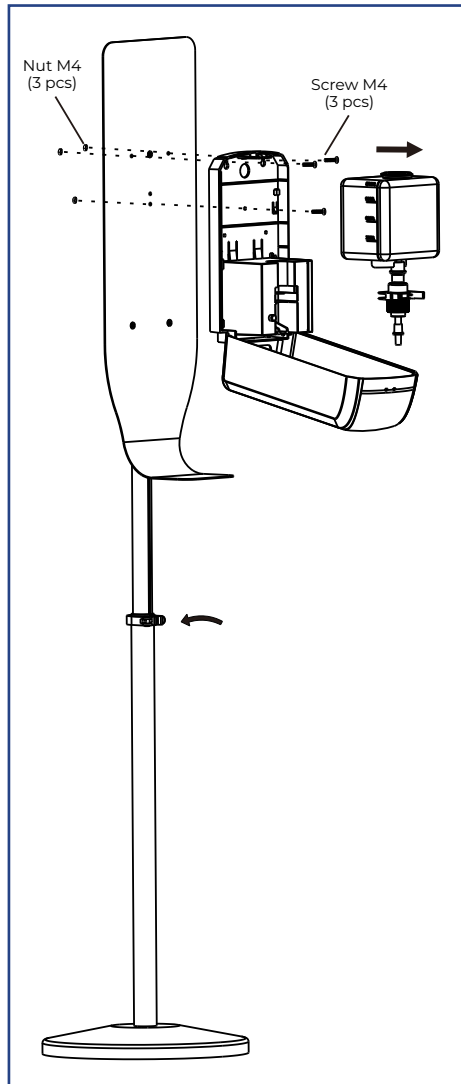
STEP THREE: Pole/Stand Assembly



- A.** Locate the Pole/Base assembly, Back/Support Plate assembly, and the last M10 Screw.
- B.** Extend the Telescopic Pole until the metal elastic ball snaps into place at the desired height. Lock it in place using the Snap Ring.
- C.** Line up the hole on the Support Plate's L-shaped lip with the top of the Pole and screw in the M10 Screw.

USER INSTRUCTIONS

STEP FOUR: Installing Dispenser Unit



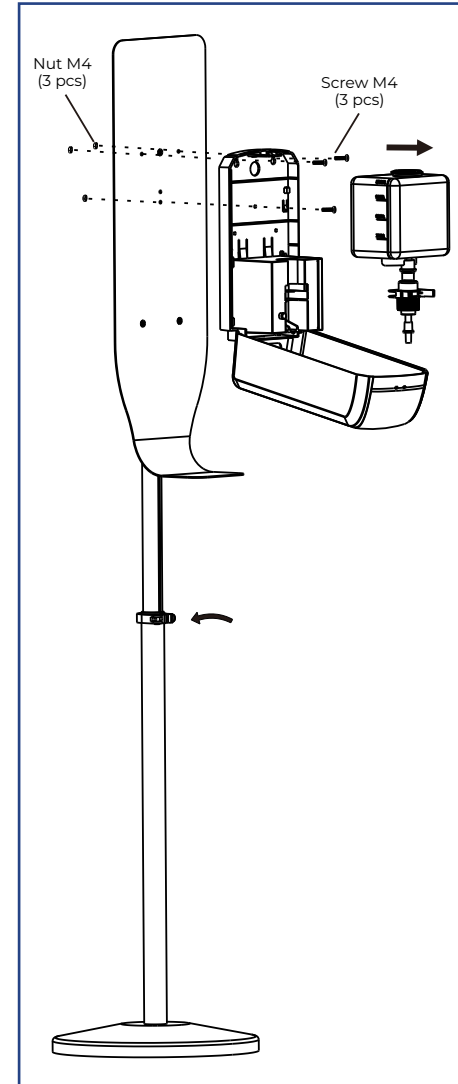
A. Locate the unit assembled in Steps 1-3, Dispenser, three M4 screws, three M4 Nuts, and U-shaped Key.

B. Take the U-shaped key and open the Dispenser by inserting the key into the two holes on top of it. Press down until the Dispenser opens in half.

C. Gently remove the Reservoir Tank.

D. With the Dispenser open, hold it to the Back Plate and line up the holes on the backside of the Dispenser to the front of the Back Plate. Insert the three M4 screws into the holes to secure the Dispenser and apply the M4 nuts to the end of each screw. Tighten the screws.

STEP FOUR: Installing Dispenser Unit (CONTINUED)



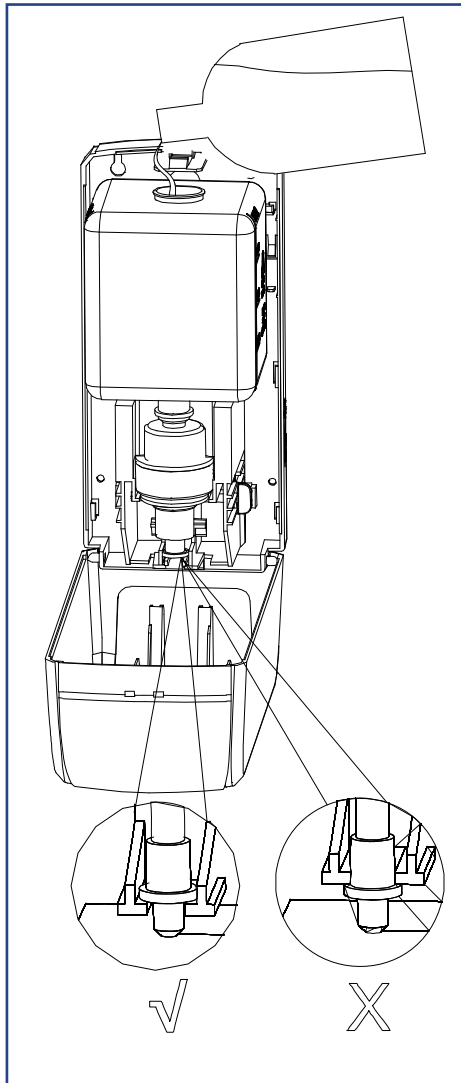
E. Reinstall the Reservoir Tank and close the Dispenser. Find the on/off switch located on the lower right side of the Dispenser and turn it on. Plug in the A/C converter into the nearest outlet. (For portable use, slide open the bottom right side panel of the Dispenser while opened and install four C batteries.)

F. Place hand under the Dispenser, and a 0.5oz dose with UV light will be automatically dispensed.

CONTINUED →

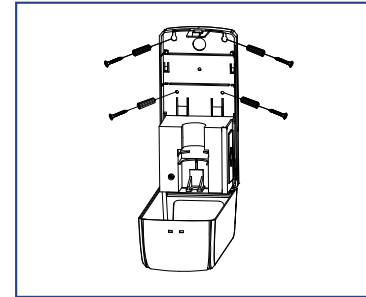
USER INSTRUCTIONS

STEP FIVE: Refilling The Reservoir Tank

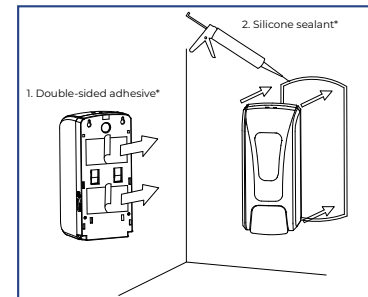


- A.** Turn off the Dispenser using the on/off switch located on the lower right side of the Dispenser.
- B.** Insert the U-Shaped Key into the key holes on top of the Dispenser to open it.
- C.** Remove the Reservoir Tank's top cap.
- D.** Fill the tank with hand sanitizer gel or spray.
- E.** Replace the cap, close the Dispenser, and turn it back on.

OPTIONAL: Stand-Less Installation



OPTION ONE: The Dispenser may be mounted directly on the wall using screw anchors. These screws can be inserted through the back panel of the Dispenser while it is opened as shown.



OPTION TWO: It may also be mounted on the wall with double-sided adhesive tape and then sealing the edges with silicone sealant. Tape and sealant not included.

ADDITIONAL INFORMATION

- Keep the U-shaped key in a safe place.
- Turn off the Dispenser before any maintenance or refilling.
- The drip tray should be wiped down periodically.